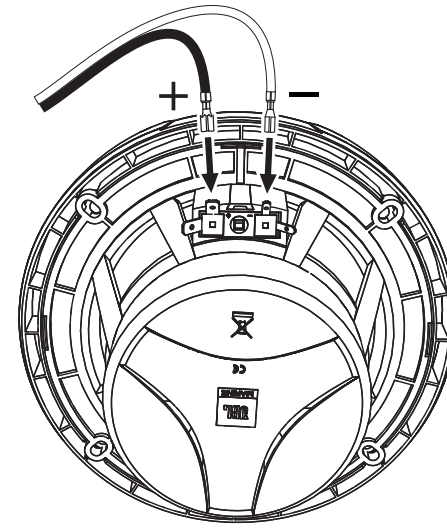


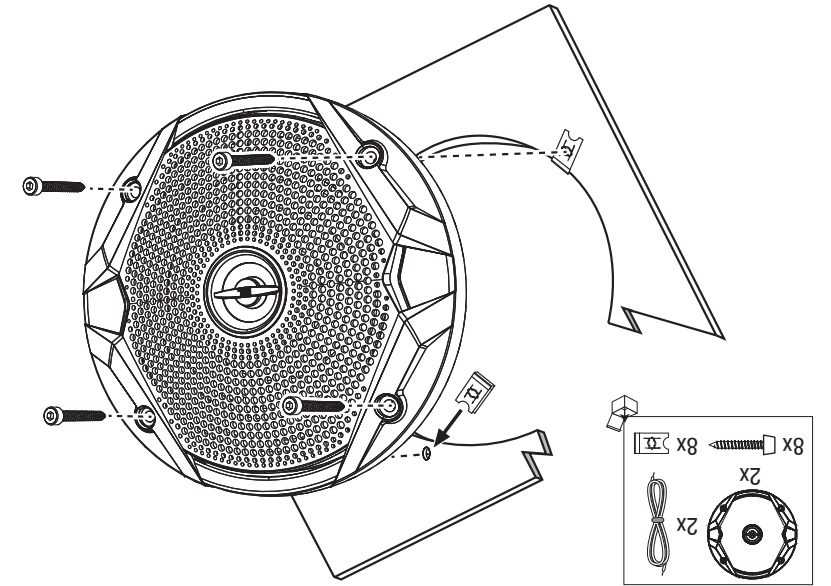
INSTALLATION MANUAL



www.jbl.com



MS6510, MS6520, MS9520



MS6510, MS6520, MS9520

HARMAN International Industries, Inc.
8500 Balboa Boulevard, Northridge, CA 91329 USA
© 2014 HARMAN International Industries, Incorporated. All rights reserved.
JBL is a trademark of HARMAN International Industries, Incorporated.
Features, specifications and appearance are subject to change without notice.

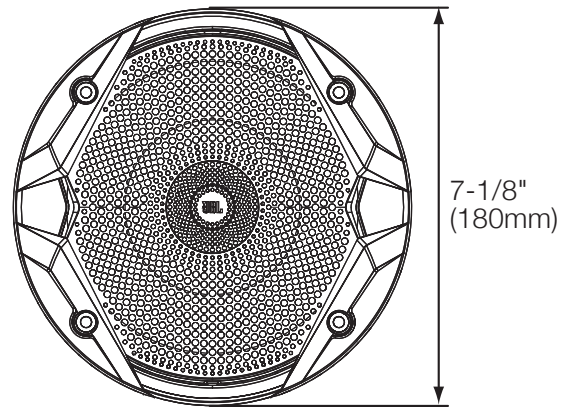
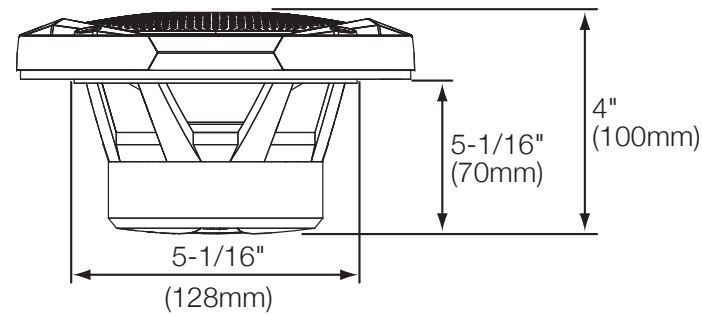
HARMAN



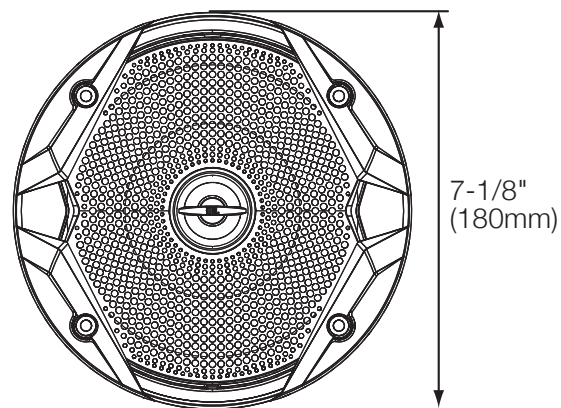
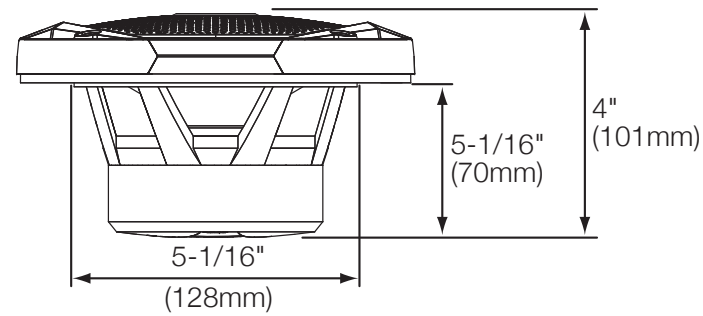
JBL® MARINE SERIES



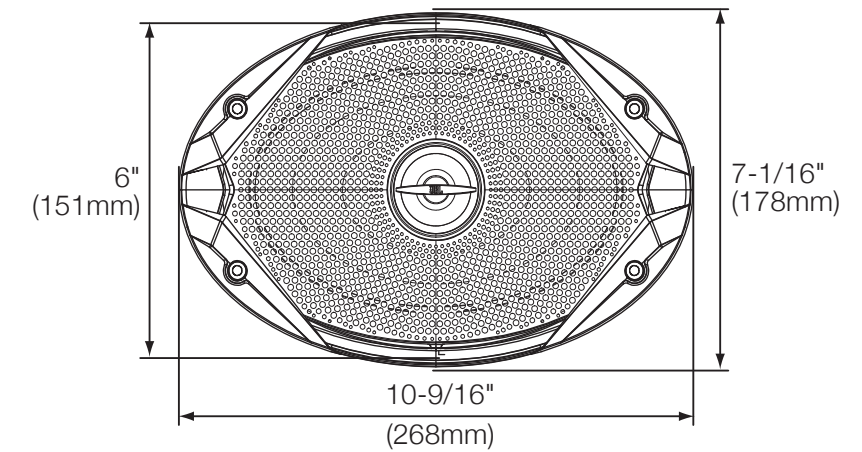
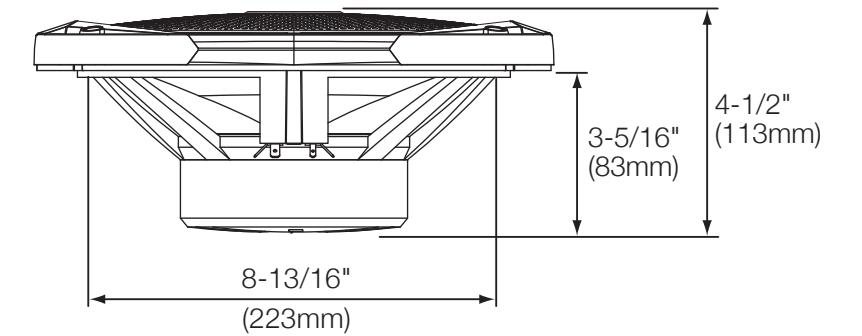
MS6510



MS6520



MS9520



SPECIFICATIONS	MS6510	MS6520	MS9520	English
Type	6-1/2" (165mm) dual-cone speaker	6-1/2" (165mm) two-way speaker	6" x 9" (160mm x 230mm) two-way speaker	
Continuous power handling	50W	60W	100W	
Peak power handling	150W	180W	300W	
Frequency response	50Hz – 18kHz	50Hz – 20kHz	37Hz – 20kHz	
Nominal impedance	4 ohms	4 ohms	4 ohms	
Sensitivity (2.83V/m)	90dB	90dB	92dB	
External diameter	7-1/8" (180mm)	7-1/8" (180mm)	10-9/16" x 7-1/16" (268mm x 178mm)	
Mounting cutout diameter	5-1/16" (128mm)	5-1/16" (128mm)	8-13/16" x 6" (223mm x 151mm)	
Total depth	4" (100mm)	4" (101mm)	4-1/2" (113mm)	
Mounting depth	2-13/16" (70mm)	2-13/16" (70mm)	3-5/16" (83mm)	

CARACTÉRISTIQUES	MS6510	MS6520	MS9520	Français
Type	6-1/2" haut-parleur double cône	6-1/2" haut-parleur deux voies	6" x 9" haut-parleur deux voies	
Puissance continue admissible	50W	60W	100W	
Puissance crête admissible	150W	180W	300W	
Réponse en fréquence	50Hz – 18kHz	50Hz – 20kHz	37Hz – 20kHz	
Impédance nominale	4 ohms	4 ohms	4 ohms	
Sensibilité @ 2.83V/1m	90dB	90dB	92dB	
Diamètre extérieur	7-1/8" (180mm)	7-1/8" (180mm)	10-9/16" x 7-1/16" (268mm x 178mm)	
Diamètre de découpe	5-1/16" (128mm)	5-1/16" (128mm)	8-13/16" x 6" (223mm x 151mm)	
Profondeur totale	4" (100mm)	4" (101mm)	4-1/2" (113mm)	
Profondeur de montage	2-13/16" (70mm)	2-13/16" (70mm)	3-5/16" (83mm)	

SPECIFICATIES	MS6510	MS6520	MS9520	Nederlands
Type	6-1/2" dual cone luidspreker	6-1/2" twee-wegluidspreker	6" x 9" twee-wegluidspreker	
Continuïvermogen afhandeling	50W	60W	100W	
Piekvermogen afhandeling	150W	180W	300W	
Frequentiebereik	50Hz – 18kHz	50Hz – 20kHz	37Hz – 20kHz	
Nominale impedantie	4 ohms	4 ohms	4 ohms	
Gevoeligheid 2,83V @ 1 meter	90dB	90dB	92dB	
Uitwendige diameter	7-1/8" (180mm)	7-1/8" (180mm)	10-9/16" x 7-1/16" (268mm x 178mm)	
Montage uitsparingsdiameter	5-1/16" (128mm)	5-1/16" (128mm)	8-13/16" x 6" (223mm x 151mm)	
Totale diepte	4" (100mm)	4" (101mm)	4-1/2" (113mm)	
Inbouwdiepte	2-13/16" (70mm)	2-13/16" (70mm)	3-5/16" (83mm)	

SPECIFICHE	MS6510	MS6520	MS9520	Italiano
Tipo	6-1/2" altoparlante a doppio cono	6-1/2" diffusore a due vie	6" x 9" diffusore a due vie	
Gestione continua corrente	50W	60W	100W	
Gestione corrente picco	150W	180W	300W	
Risposta in frequenza	50Hz – 18kHz	50Hz – 20kHz	37Hz – 20kHz	
Impedenza nominale	4 ohms	4 ohms	4 ohms	
Sensibilità 2.83V @ 1 metro	90dB	90dB	92dB	
Diametro esterno	7-1/8" (180mm)	7-1/8" (180mm)	10-9/16" x 7-1/16" (268mm x 178mm)	
Diametro soglia di montaggio	5-1/16" (128mm)	5-1/16" (128mm)	8-13/16" x 6" (223mm x 151mm)	
Profondità totale	4" (100mm)	4" (101mm)	4-1/2" (113mm)	
Profondità di montaggio	2-13/16" (70mm)	2-13/16" (70mm)	3-5/16" (83mm)	

TECHNISCHE DATEN	MS6510	MS6520	MS9520	Deutsch
Typ	6-1/2" dual-konus lautsprecher	6-1/2" 2-wege lautsprecher	6" x 9" 2-wege lautsprecher	
Dauerbelastbarkeit	50 W	60 W	100 W	
Spitzenbelastbarkeit	150 W	180 W	300 W	
Frequenzbereich	50 Hz – 18 kHz	50 Hz – 20 kHz	37 Hz – 20 kHz	
Nennimpedanz	4 ohm	4 ohm	4 ohm	
Wirkungsgrad @ 2,83V/1 Meter	90 dB	90 dB	92 dB	
Außendurchmesser	180 mm	180 mm	268 mm x 178 mm	
Durchmesser des Montageausschnittes	128 mm	128 mm	223 mm x 151 mm	
Vollständige Tiefe	100 mm	101 mm	113 mm	
Einbautiefe	70 mm	70 mm	83 mm	

ESPECIFICACIONES	MS6510	MS6520	MS9520	Español
Tipo	6-1/2" altavoces de cono dual	6-1/2" altavoces de dos vías	6" x 9" altavoces de dos vías	
Manejo de potencia continua	50W	60W	100W	
Manejo de potencia punta	150W	180W	300W	
Respuesta en frecuencia	50Hz – 18kHz	50Hz – 20kHz	37Hz – 20kHz	
Impedancia nomina	4 ohms	4 ohms	4 ohms	
Sensibilidad 2.83V @ 1 metro	90dB	90dB	92dB	
Diámetro exterior	7-1/8" (180mm)	7-1/8" (180mm)	10-9/16" x 7-1/16" (268mm x 178mm)	
Montaje de diámetro recorte	5-1/16" (128mm)	5-1/16" (128mm)	8-13/16" x 6" (223mm x 151mm)	
Profundidad total	4" (100mm)	4" (101mm)	4-1/2" (113mm)	
Profundidad de montaje	2-13/16" (70mm)	2-13/16" (70mm)	3-5/16" (83mm)	

SPECIFIKATIONER	MS6510	MS6520	MS9520	Svenska
Type	6-1/2" högtalare med dubbeltkon	6-1/2" två-vägshögtalare	6" x 9" två-vägshögtalare	
Kontinuerlig märkeffekt	50W	60W	100W	
Toppeffekt hantering	150W	180W	300W	
Frekvensområde	50Hz – 18kHz	50Hz – 20kHz	37Hz – 20kHz	
Nominal impedans	4 ohms	4 ohms	4 ohms	
Känslighet 2,83V @ 1 meter	90dB	90dB	92dB	
Yttre diameter	7-1/8" (180mm)	7-1/8" (180mm)	10-9/16" x 7-1/16" (268mm x 178mm)	
Montering utskuren diameter	5-1/16" (128mm)	5-1/16" (128mm)	8-13/16" x 6" (223mm x 151mm)	
Totalt djup	4" (100mm)	4" (101mm)	4-1/2" (113mm)	
Monteringsdjup	2-13/16" (70mm)	2-13/16" (70mm)	3-5/16" (83mm)	

SPECIFIKATIONER	MS6510	MS6520	MS9520	Dansk
Type	6-1/2" dobbeltkonisk højttaler	6-1/2" tovejs-højttaler	6" x 9" tovejs-højttaler	
Kontinuerlig strømstyring	50W	60W	100W	
Spidsbelastning-strømstyring	150W	180W	300W	
Frekvensgang	50Hz – 18kHz	50Hz – 20kHz	37Hz – 20kHz	
Nominal impedans	4 ohms	4 ohms	4 ohms	
Følsomhed 2,83V, 1m	90dB	90dB	92dB	
Ekstern diameter	7-1/8" (180mm)	7-1/8" (180mm)	10-9/16" x 7-1/16" (268mm x 178mm)	
Udskåret diameter	5-1/16" (128mm)	5-1/16" (128mm)	8-13/16" x 6" (223mm x 151mm)	
Total dybde	4" (100mm)	4" (101mm)	4-1/2" (113mm)	
Monteringsdybde	2-13/16" (70mm)	2-13/16" (70mm)	3-5/16" (83mm)	

TEKNISET TIEDOT	MS6510	MS6520	MS9520	Suomi
Tyyppi	6-1/2" kaksoiskartiokaiutin	6-1/2" kaksitiekkaiutin	6" x 9" kaksitiekkaiutin	
Continuous power handling	50W	60W	100W	
Peak power handling	150W	180W	300W	
Taajuusvaste	50Hz – 18kHz	50Hz – 20kHz	37Hz – 20kHz	
Nimellimpedanssi	4 ohmia	4 ohmia	4 ohmia	
Herkkyys 2,83V @ 1 m	90dB	90dB	92dB	
ulkohalkaisija	7-1/8" (180mm)	7-1/8" (180mm)	10-9/16" x 7-1/16" (268mm x 178mm)	
asennusaukon halkaisija	5-1/16" (128mm)	5-1/16" (128mm)	8-13/16" x 6" (223mm x 151mm)	
kokonaissyvyys	4" (100mm)	4" (101mm)	4-1/2" (113mm)	
asennussyvyys	2-13/16" (70mm)	2-13/16" (70mm)	3-5/16" (83mm)	

规格	MS6510	MS6520	MS9520	简体中文
类型	6-1/2" 双锥盆扬声器	6-1/2" 二分频扬声器	6" x 9" 二分频扬声器	
持续功率	50瓦	60瓦	100瓦	
峰值功率	150瓦	180瓦	300瓦	
频响	50赫兹至–18kHz	50赫兹至–20kHz	37赫兹至–20kHz	
标称阻抗	4欧	4欧	4欧	
灵敏度 (2.83V/m)	90分贝	90分贝	92分贝	
外径	7-1/8" (180mm)	7-1/8" (180mm)	10-9/16" x 7-1/16" (268mm x 178mm)	
安装开口直径	5-1/16" (128mm)	5-1/16" (128mm)	8-13/16" x 6" (223mm x 151mm)	
总深度	4" (100mm)	4" (101mm)	4-1/2" (113mm)	
安装深度	2-13/16" (70mm)	2-13/16" (70mm)	3-5/16" (83mm)	

DANE TECHNICZNE	MS6510	MS6520	MS9520	Polski
Typ	głośnik dual-cone 6-1/2"	głośnik 2-drożny 6-1/2"	głośnik 2-drożny 6" x 9"	
Moc ROS	50W	60W	100W	
Moc szczytowa	150W	180W	300W	
Pasma przenoszenia	50Hz – 18kHz	50Hz – 20kHz	37Hz – 20kHz	
Impedancja	4 omny	4 omny	4 omny	
Skuteczność (2,83V@1m)	90dB	90dB	92dB	
Średnica głośnika	7-1/8" (180mm)	7-1/8" (180mm)	10-9/16" x 7-1/16" (268mm x 178mm)	
Średnica otworu montażowego	5-1/16" (128mm)	5-1/16" (128mm)	8-13/16" x 6" (223mm x 151mm)	
Głębokość głośnika	4" (100mm)	4" (101mm)	4-1/2" (113mm)	
Głębokość montaży	2-13/16" (70mm)	2-13/16" (70mm)	3-5/16" (83mm)	

規格	MS6510	MS6520	MS9520	繁體中文
類型	6-1/2" 雙紙盆喇叭	6-1/2" 雙向喇叭	6" x 9" 雙向喇叭	
連續供電處理	50W	60W	100W	
尖峰供電處理	150W	180W	300W	
頻率反應	50Hz – 18kHz	50Hz – 20kHz	37Hz – 20kHz	
標稱阻抗	4 ohms	4 ohms	4 ohms	
靈敏度 (2.83V/m)	90dB	90dB	92dB	
外部直徑	7-1/8" (180mm)	7-1/8" (180mm)	10-9/16" x 7-1/16" (268mm x 178mm)	
托架輪廓直徑	5-1/16" (128mm)	5-1/16" (128mm)	8-13/16" x 6" (223mm x 151mm)	
總厚度	4" (100mm)	4" (101mm)	4-1/2" (113mm)	
裝殼後之厚度	2-13/16" (70mm)	2-13/16" (70mm)	3-5/16" (83mm)	

仕様	MS6510	MS6520	MS9520	Japanese
形式	6-1/2" デュアルコーン・ラウドスピーカー	6-1/2" 2ウェイ・スピーカー	6" x 9" 2ウェイ・スピーカー	
定格入力	50W	60W	100W	
最大許容入力	150W	180W	300W	
周波数特性	50Hz – 18kHz	50Hz – 20kHz	37Hz – 20kHz	
インピーダンス	4 オーム	4 オーム	4 オーム	
出力音差レベル (2.83V/m)	90dB	90dB	92dB	
外形寸法	7-1/8" (180mm)	7-1/8" (180mm)	10-9/16" x 7-1/16" (268mm x 178mm)	
取付穴径	5-1/16" (128mm)	5-1/16" (128mm)	8-13/16" x 6" (223mm x 151mm)	
最大奥行	4" (100mm)	4" (101mm)	4-1/2" (113mm)	
埋め込み寸法	2-13/16" (70mm)	2-13/16" (70mm)	3-5/16" (83mm)	

ХАРАКТЕРИСТИКИ	MS6510	MS6520	MS9520	Русский
Тип	6-1/2" Двухконусный динамик	6-1/2" стереоспикер	6" x 9" стереоспикер	
Мощность	50Вт	60Вт	100Вт	
Пиковая мощность	150Вт	180Вт	300Вт	
Диапазон частот	50Гц – 18кГц	50Гц – 20кГц	37Гц – 20кГц	
Номинальный импеданс	4 Ом	4 Ом	4 Ом	
Чувствительность (2,83 В на 1 м)	90дБ	90дБ	92дБ	
Внешний диаметр	7-1/8" (180mm)	7-1/8" (180mm)	10-9/16" x 7-1/16" (268mm x 178mm)	
Монтажный диаметр	5-1/16" (128mm)	5-1/16" (128mm)	8-13/16" x 6" (223mm x 151mm)	
Глубина	4" (100mm)	4" (101mm)	4-1/2" (113mm)	
Монтажная глубина	2-13/16" (70mm)	2-13/16" (70mm)	3-5/16" (83mm)	

ESPECIFICAÇÕES	MS6510	MS6520	MS9520	Português
Tipo	6-1/2" alto-falante com cone duplo	6-1/2" altifalante de duas vias	6" x 9" altifalante de duas vias	
Potência Contínua em funcionamento	50W	60W	100W	
Pico de Potência em funcionamento	150W	180W	300W	
Freqüência de resposta	50Hz – 18kHz	50Hz – 20kHz	37Hz – 20kHz	
Impedância nominal	4 ohmia	4 ohmia	4 ohmia	
Sensibilidade (2,83V @ 1m)	90dB	90dB	92dB	
Diâmetro exterior	7-1/8" (180mm)	7-1/8" (180mm)	10-9/16" x 7-1/16" (268mm x 178mm)	
Diâmetro do corte de montagem	5-1/16" (128mm)	5-1/16" (128mm)	8-13/16" x 6" (223mm x 151mm)	
Profundidade total	4" (100mm)	4" (101mm)	4-1/2" (113mm)	
Profundidade de montagem	2-13/16" (70mm)	2-13/16" (70mm)	3-5/16" (83mm)	

TEKNIK ÖZELLİKLER	MS6510	MS6520	MS9520	Türkçe
Tip	6-1/2" Çift konili hoparlör	6-1/2" iki yönlü hoparlör	6" x 9" iki yönlü hoparlör	
Kesintisiz güç kullanımı	50W	60W	100W	
Tepe gücü kullanımı	150W	180W	300W	
Frekans Tepkisi	50Hz – 18kHz	50Hz – 20kHz	37Hz – 20kHz	
Nominal Impedans	4 ohms	4 ohms	4 ohms	
Duyarlılık (2.83V, 1m)	90dB	90dB	92dB	
Harici çap	7-1/8" (180mm)	7-1/8" (180mm)	10-9/16" x 7-1/16" (268mm x 178mm)	
Montaj kesici çapı	5-1/16" (128mm)	5-1/16" (128mm)	8-13/16" x 6" (223mm x 151mm)	
Toplam derinlik	4" (100mm)	4" (101mm)	4-1/2" (113mm)	
Montaj derinliği	2-13/16" (70mm)	2-13/16" (70mm)	3-5/16" (83mm)	